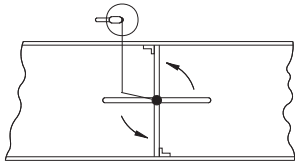
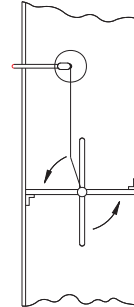


Pressure Trip Applications – Installation Detail

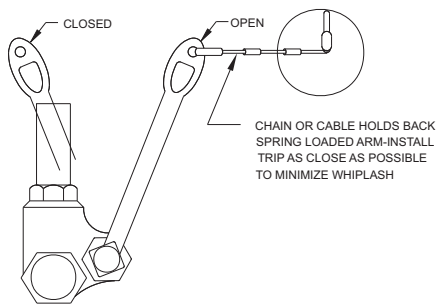
PRESSURE TRIP APPLICATIONS INSTALLATION DETAIL



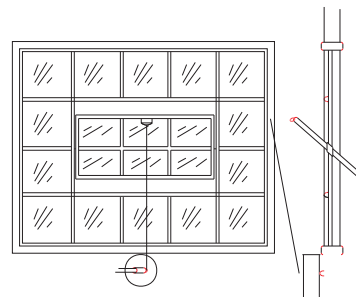
HORIZONTAL DUCT DAMPER



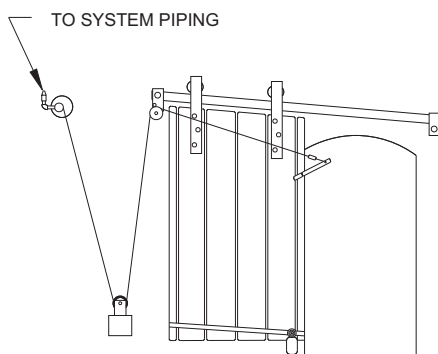
VERTICAL DUCT DAMPER



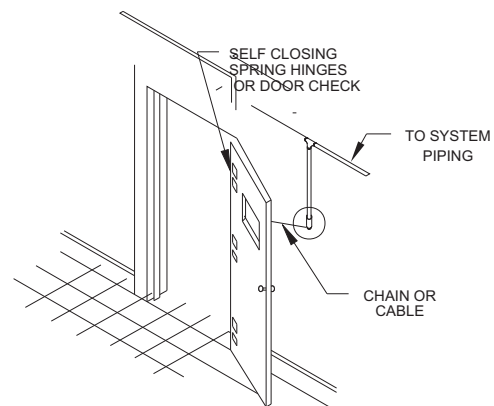
SPRING LOADED LIQUID OR GAS
SHUTOFF VALVE



WINDOW-EITHER WEIGHTED
OR OFF BALANCE



SLIDING DOOR



SWINGING DOOR-SELF CLOSING

This literature is provided for informational purposes only. KIDDE-FENWAL, INC. assumes no responsibility for the product's suitability for a particular application. The product must be properly applied to work correctly. If you need more information on this product, or if you have a particular problem or question, contact KIDDE-FENWAL, Inc.

Kidde is a registered trademark of Kidde-Fenwal Inc. All other trademarks are the property of their respective owners.